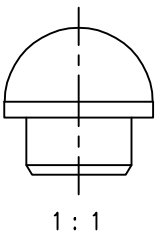
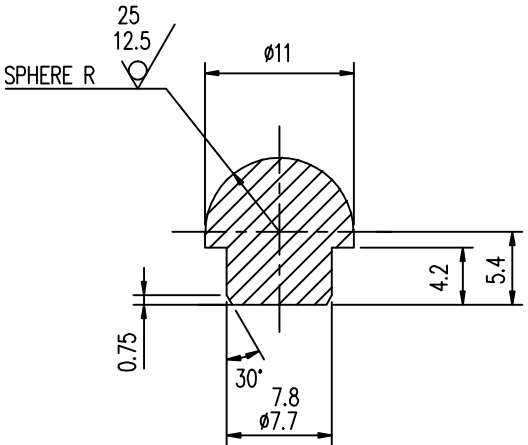


100 mm		TOLERANCE FOR OPEN DIMENSIONS AS PER IS : 2102 - MED	
DIMENSION	UP TO & INC	TOLERANCE	
OVER			
6	30	±0.2	
6	30	±0.1	
120	315	±0.5	
120	315	+0.8	
1000	2000	±1.2	
1000	2000	±2.0	
2000	4000	±2.0	
4000	4000	±3.0	

PART No.			
M 336910			
ENGINEERING CHANGES			
ECN No.	DATE	REV	SIGN
6763	3.5.93	NEW	
7031	30.5.94	1	
8010	17.11.99	2	
Special characteristics added.			

DO NOT SCALE - IF IN DOUBT ASK



- CRITICAL
- MAJOR
- NO SYMBOL - MINOR

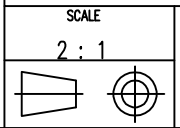
⊕ SURFACE PROTECTION : JED 007P
 COATING THICKNESS 20µm

6.3 (25/12.5)

THIS DRAWING IS THE SOLE PROPERTY OF WABCO. IT SHOULD NOT BE COPIED OR COMMUNICATED TO ANY PERSON WITHOUT THE WRITTEN APPROVAL OF WABCO. © 1993
 UNSPECIFIED TOLERANCE TO BE AS PER IS:2102

MATERIAL	AI 19000 IS: 739	ALT. MATL.	--	SURFACE PROTECTION	⊕	RAW PART No.	--
----------	------------------	------------	----	--------------------	---	--------------	----

1993	SIGN	DATE	UNLESS OTHERWISE SPECIFIED ALL DIMENSIONS IN mm REMOVE BURRS AND SHARP EDGES FROM FINISHED PARTS ALL DIMENSIONS ARE AFTER SURFACE PROTECTION / TREATMENT MALE THREAD TO IS 14962 (Part 3) 6h : 2001 FEMALE THREAD TO IS 14962 (Part 3) 6H : 2001
DRN	CP	2/5	
CHD	SS	3/5	
APD	SS	3/5	



WABCO
 AMBATTUR, CHENNAI - 600058, INDIA

VALVE INSERT

PART No.
M 336910