



SHREE KRISHNA INNOVATIVE ENGINEERING SERVICE

(SKIES)

CONTACT PERSON: MR. KRISHNA

MAIL ID: skies.rnd@gmail.com

CELL NO.: +91 – 96207 22439

ABOUT US:

We are professionally experienced mechanical engineers and begins a company to provide mechanical design engineering service to all kind of industries.

Developing concept design with respect to application, detailing concept design for manufacturing feasibility. Also providing shapes to customer ideas or thoughts i.e. from concept to testing for any kind of product & process.

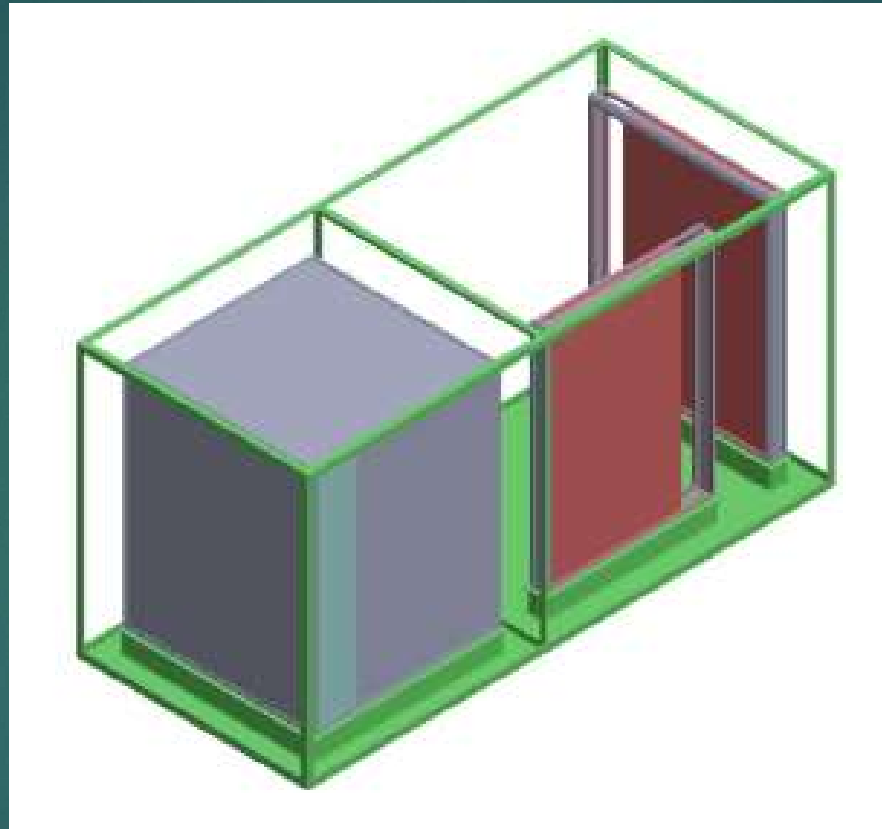
Our main aim is to provide optimized innovative solutions to minimize the waste and achieve the best productivity.

SERVICE:

We are expertise in concept design, product design, tool design, process simulation, feasibility study, work & time study, data analysis, technical writing and train the technicians. We will provide service in the following fields.

- ▶ Forging Technology
- ▶ Machine design
- ▶ Industrial engineering
- ▶ Manufacturing engineering
- ▶ Operations

Overview Of Heat Exchanger

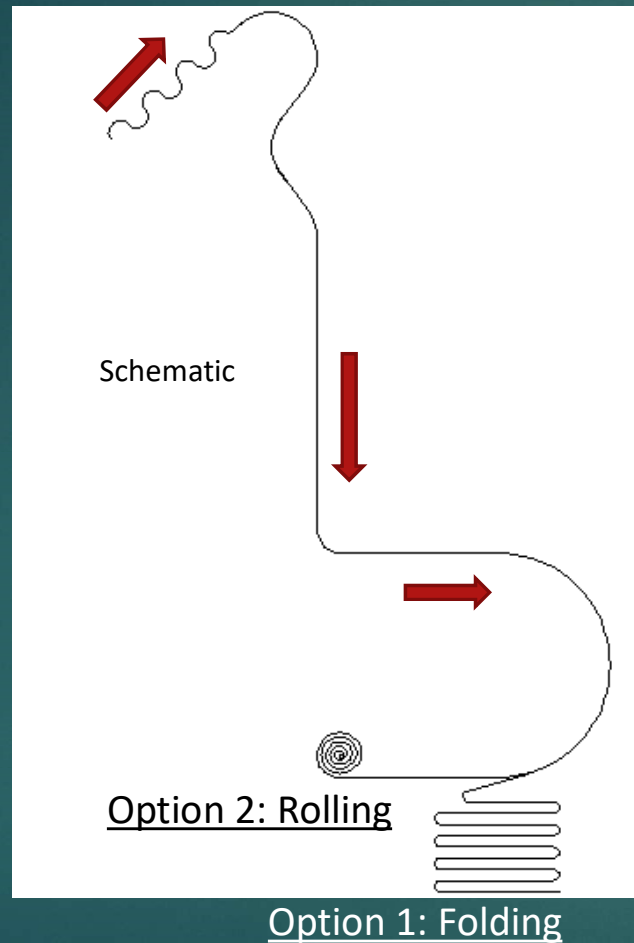


Advanced heat exchanger machine design & manufacturing feasibility for Areca nut drying to remove shell at natural inherent heat without any damage. It consists of compressor, condensers & lot more components.

GALLERY

Instant Laundry Machine

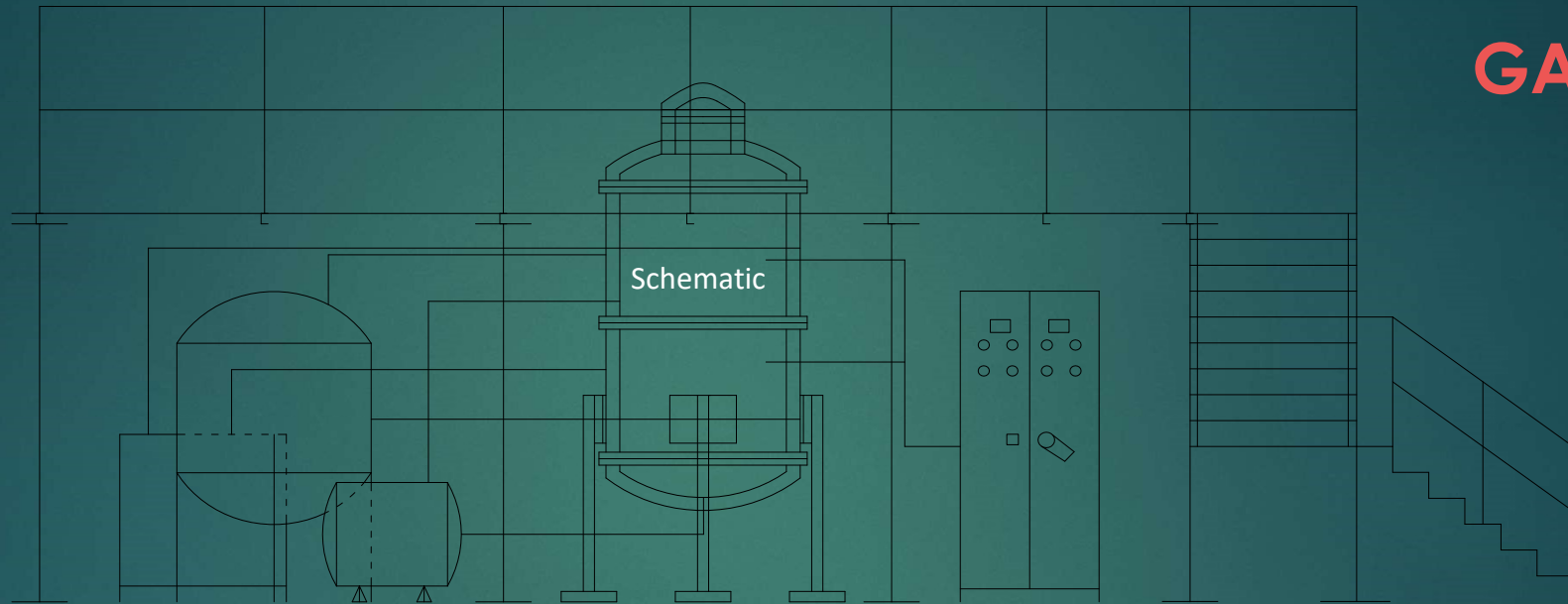
GALLERY



Machine design, manufacturing feasibility, prepared process drawings and bill of material (BOM) for instant laundry machine.

It consists of a body, rollers, drum, motors, pulleys, belts & lot more components.

Vertical Vacuum Furnace

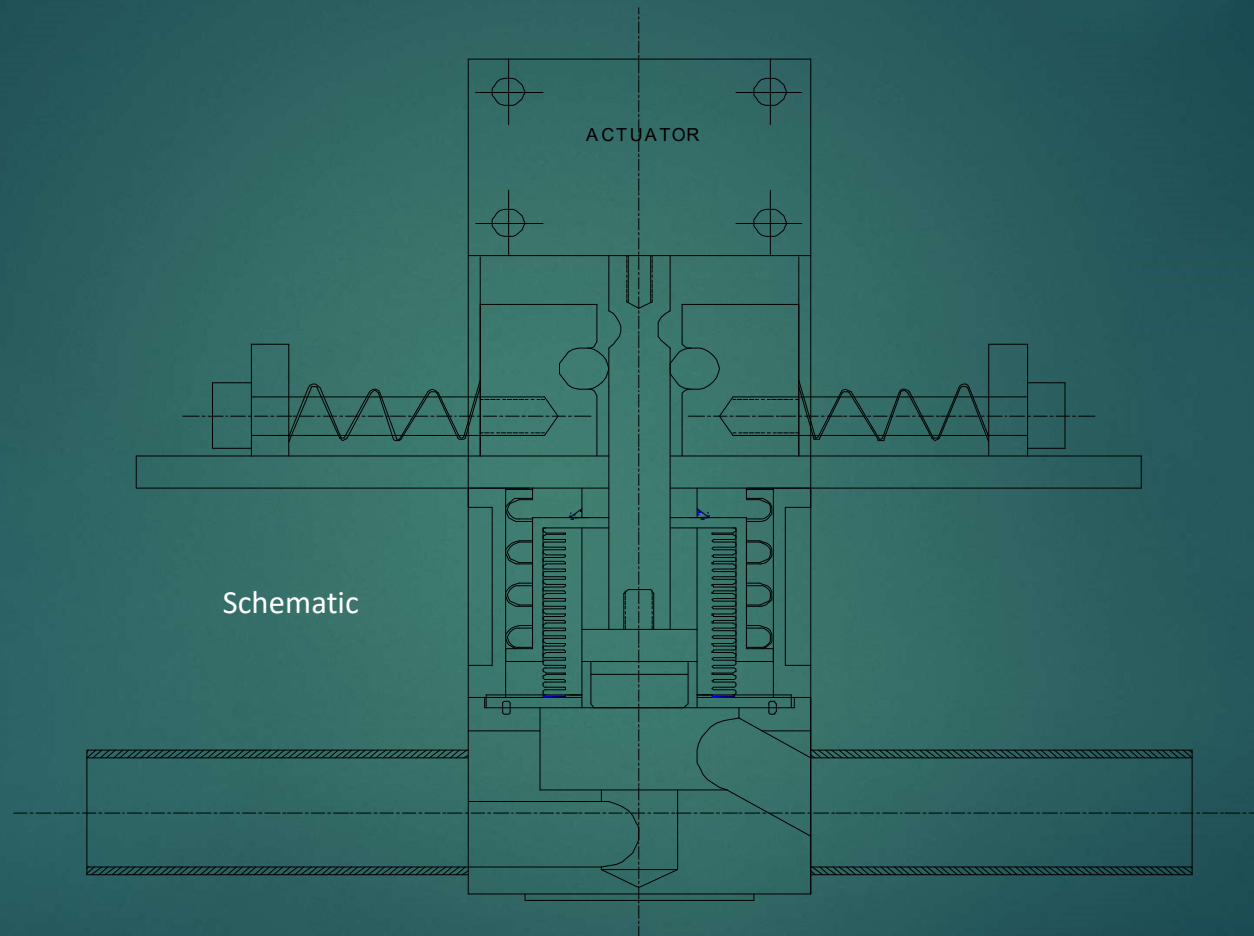


GALLERY

- Layout design for furnace and its accessories setup.
- Cooling pipeline system design for VVF system.
- Design the steel structure to have the mezzanine floor around vertical vacuum furnace & execute the fabrication work.

Valve Function Design

GALLERY

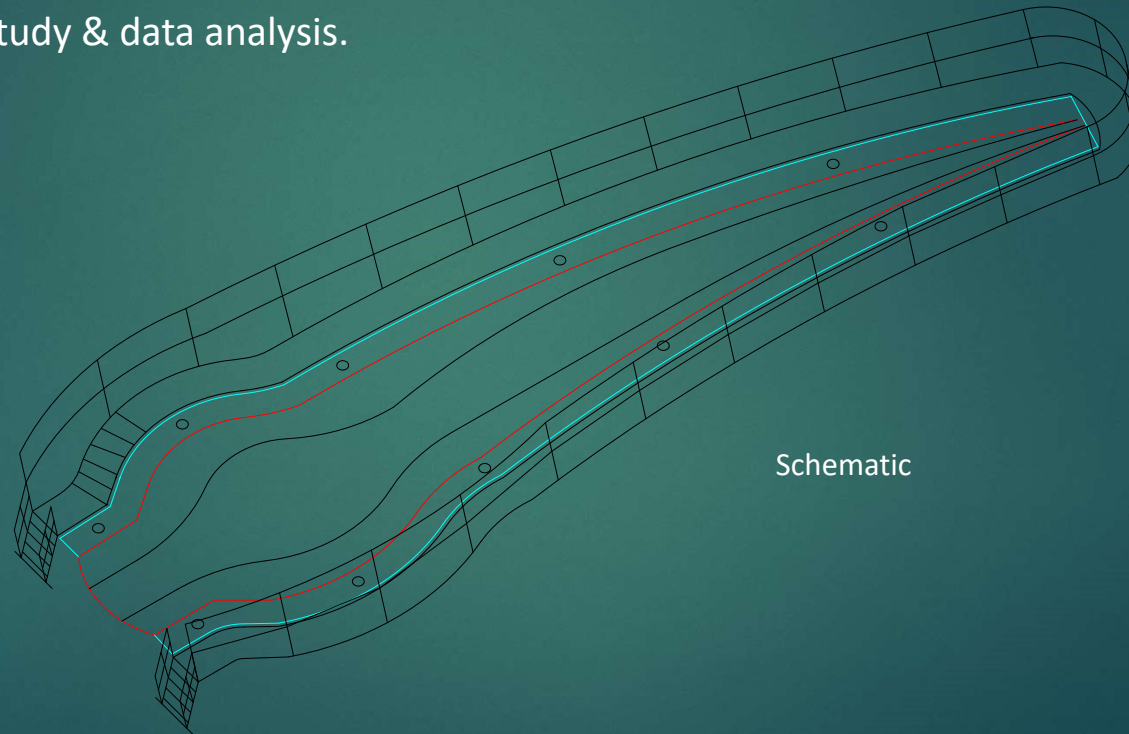


The valve system has a flow control by itself with respect to pressure and volume deficiency, in such a way that functioning designed with full proof system.

Wind Turbine Composite Blade Mold – Manufacturing Engineering

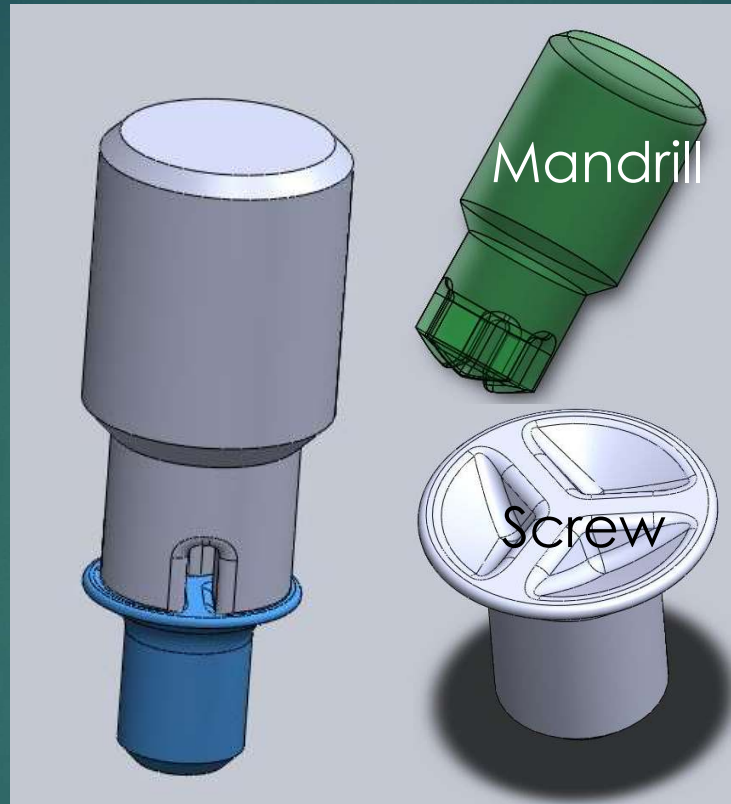
1. Create work instructions for process.
2. Visual display in shop floor.
3. Train the technicians.
4. Process study & data analysis.

GALLERY



The mold size is about 3.0M wide and 46.0M length.

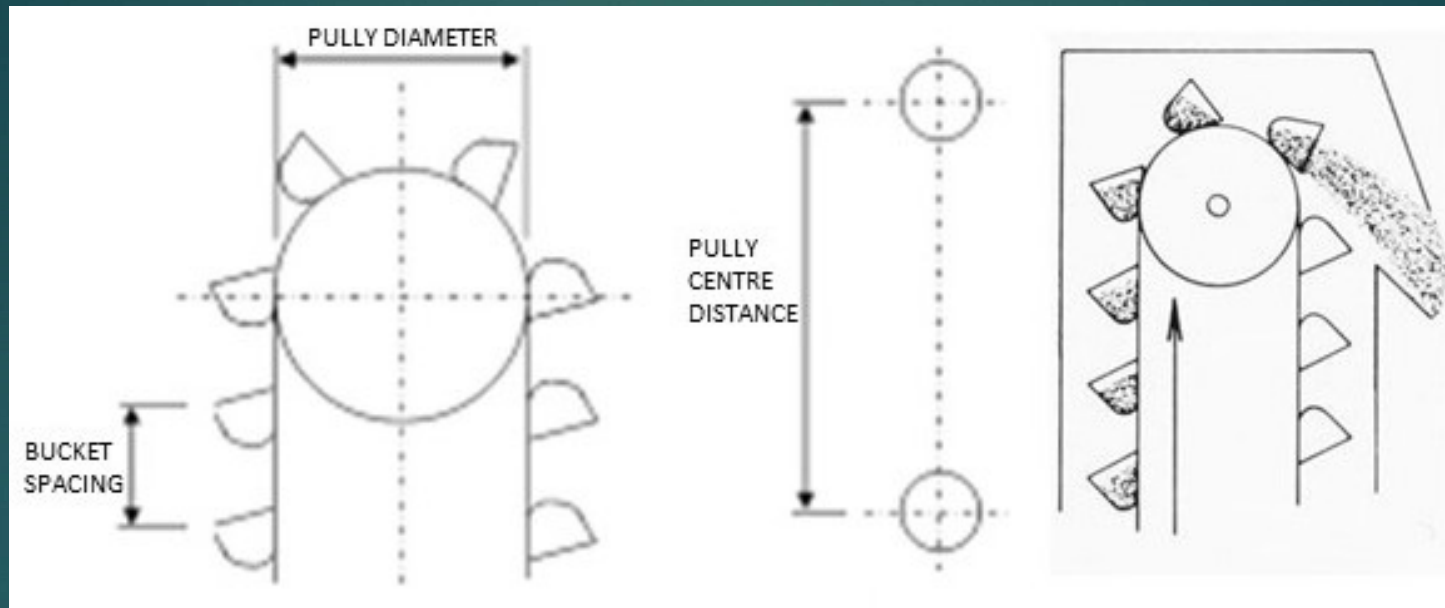
Micro Miniature Screw



GALLERY

Design and develop the recess profile for micro miniature screw which is using in electronic applications. When you have apply certain torque for installation (fix) of screw, during that time should not be deform. So in such a way that recess profile and mandrill designed. If exceeds the desired torque than the mandrill will get start deflection.

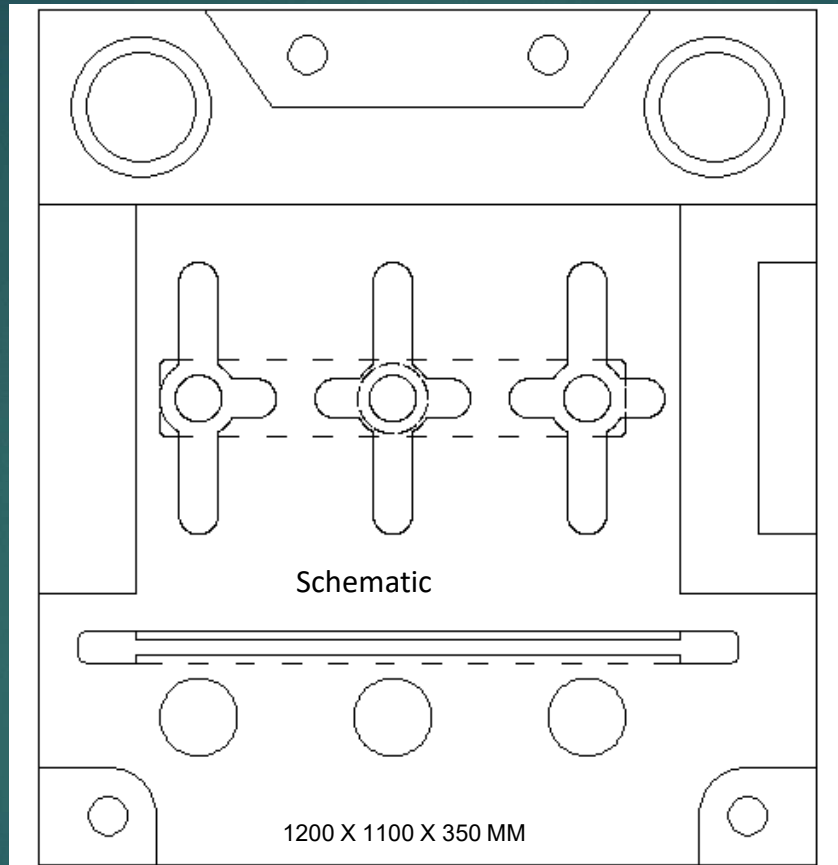
Bucket Elevator Design



GALLERY

Specially developed a calculator for fabrication of bucket elevator to get the accurate and quick inputs to ensure proper throw at chute & deliver desired capacity of each individual machine in fully automatic running condition of food grains handling mills.

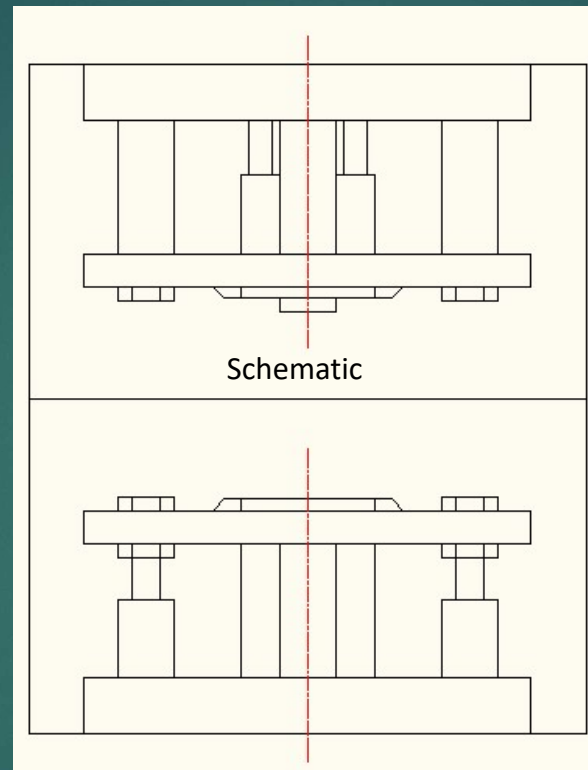
Bolster For Forging Press



GALLERY

Advanced bolster design & developed for minimizing setting time and ensure proper seating & clamping of dies. The dies can be load easily on to the press and it will have quick clamping.

Clipping Tool For Forging Trim Press

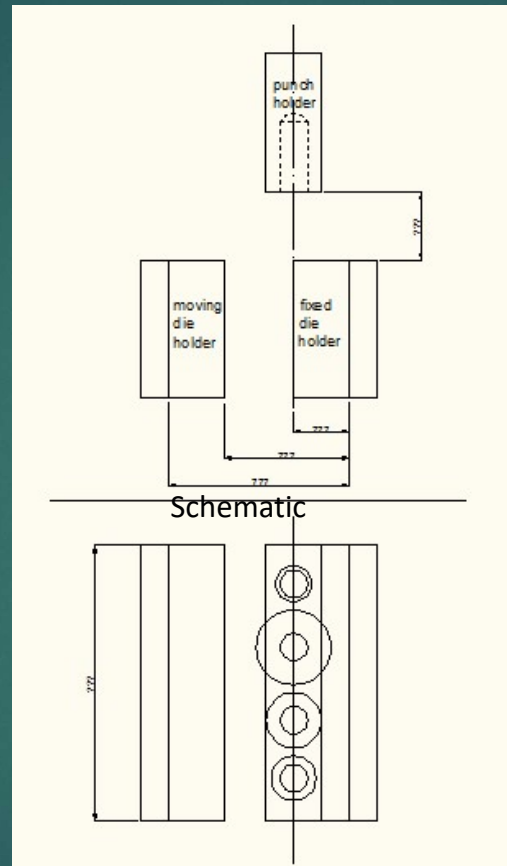


Design & developed clipping tool for trimming press. No post forging process like hot padding, cold coining or fettling work after clipping which is differs from normal trimming & piercing process. It will ensure sizing, flatness & neat trim edge.

GALLERY

Holder for Up-setter Machine

GALLERY



We have utilized maximum space to design & develop the 4 – pass holder for 6” Up-setter machine to strengthen the holder.

Forging Technology:

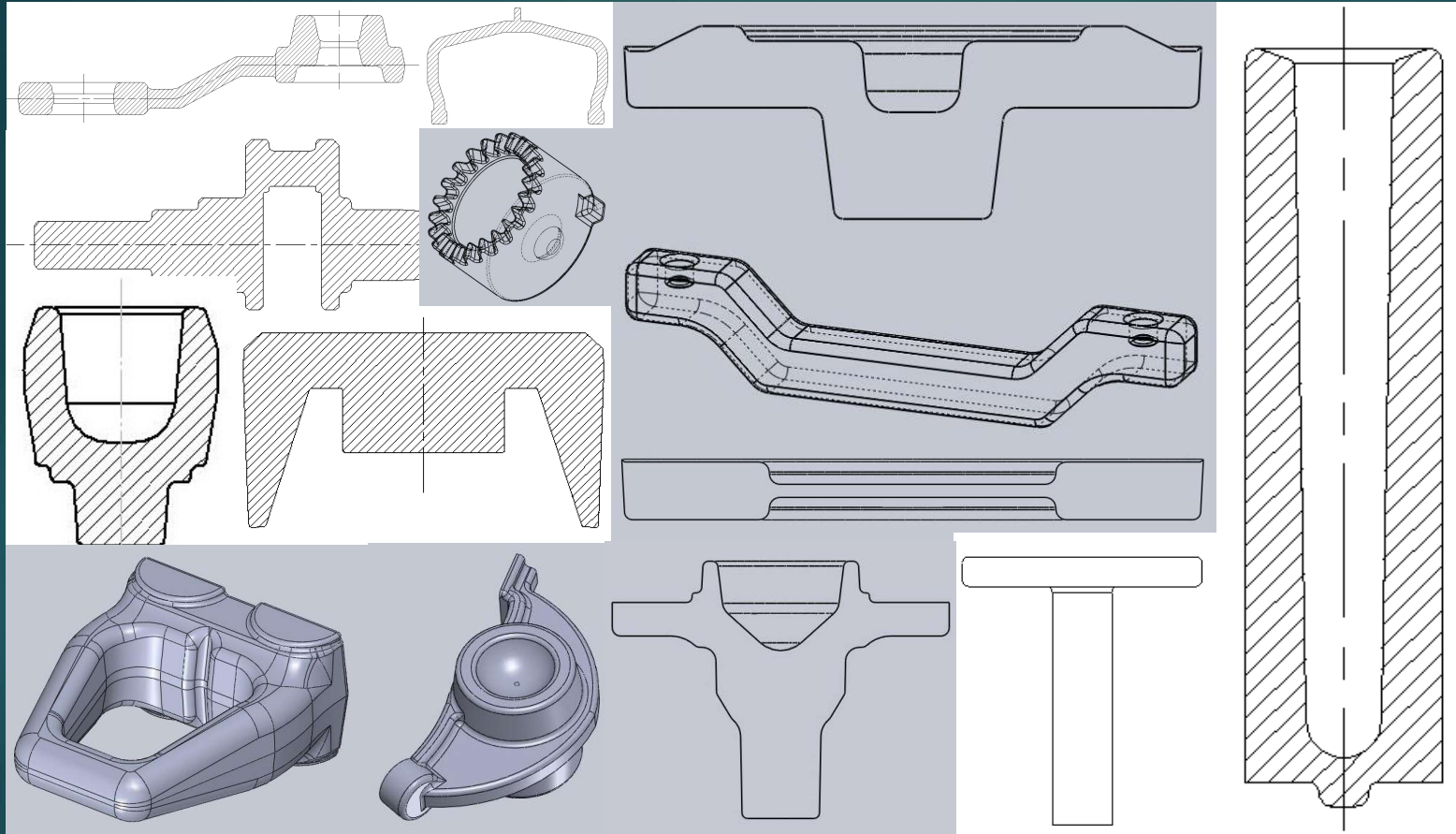
We will provide service with the following details...

- Billet section & weight
- Billet heating cycle time. If hot forging
- Load required to forge
- Machine selection
- Die lubrication
- Load required to trim & pierce
- Prediction of die life
- Process engineering
- Net shape forging die design
- Multi cavity forging die design
- Machine Testing & proto type samples development




GALLERY

Forging Components



GALLERY



We hope you have felt good after gone through this file.

Looking forward to hearing from you soon.

THANK YOU.