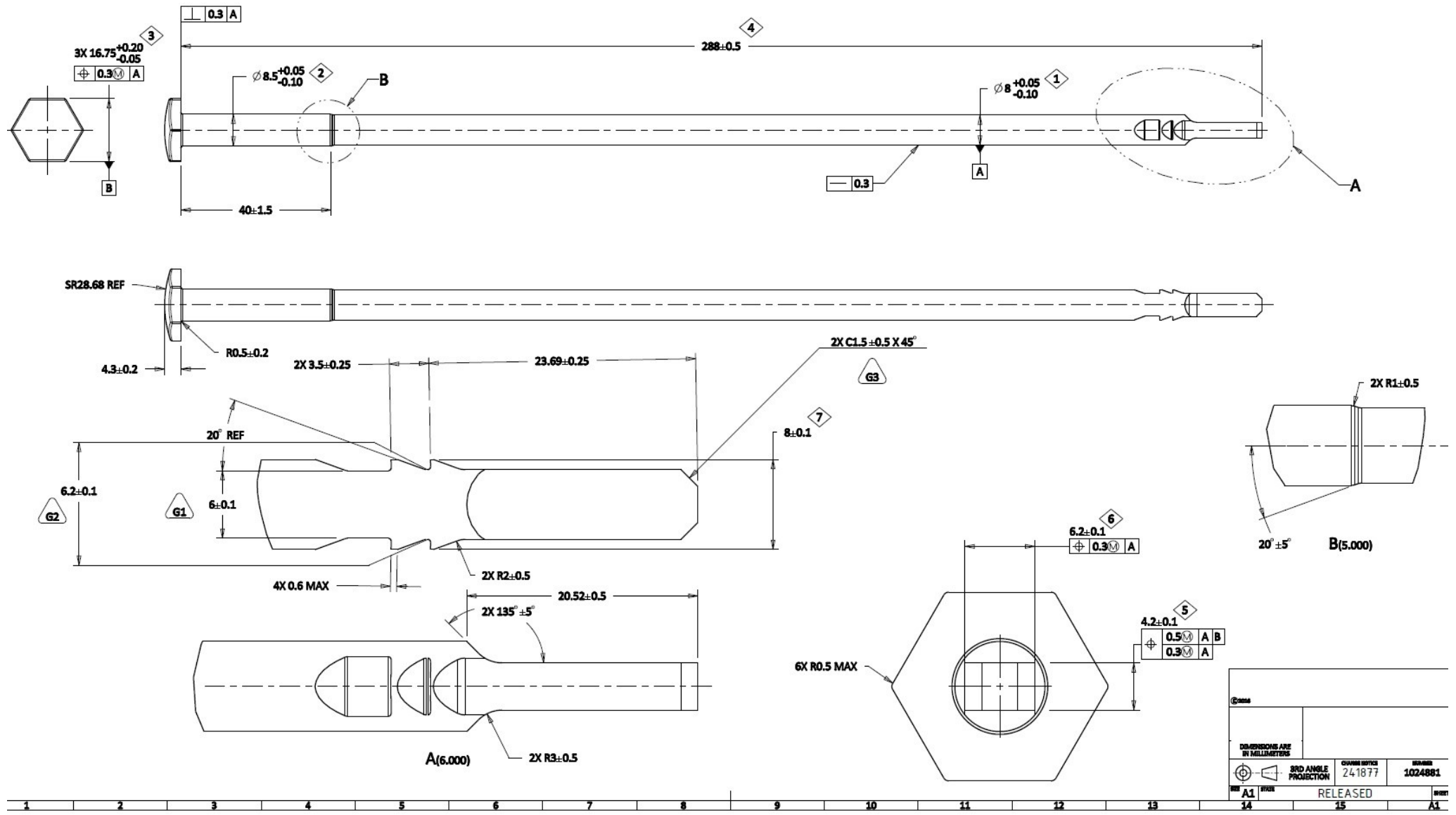
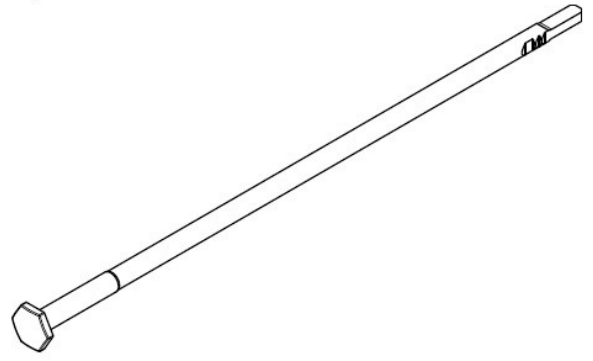


◇ Key Design Feature (KDF)

D1 = Design Intent VC1 = Ppk ≥ 1.0 VC2 = Ppk ≥ 1.33

o	Description	DI	VC1	VC2	Rationale	Sh	Zone
	DIAMETER	-	X	-	FIT AND FUNCTION	1	E-12
	DIAMETER	-	X	-	FIT AND FUNCTION	1	D-4
	WIDTH - HEX / TRUE POSITION	-	X	-	FIT AND FUNCTION	1	D-2
	LENGTH	X	-	-	FIT AND FUNCTION	1	D-9
	DISTANCE / TRUE POSITION	-	X	-	FIT AND FUNCTION	1	L-13
	DISTANCE / TRUE POSITION	-	X	- </tr			

- NOTES:
1. NO LEAD CONTENT ALLOWABLE
  2. VOLUME : 15073.9 MM<sup>3</sup>
  3. GEOMETRY NOT DIMENSIONED ON THIS DRAWING IS CONTROLLED BY DIMENSIONS CONTAINED IN THE APPROPRIATE CAD MODEL STORED WITH THIS DRAWING.
  4. DIMENSIONAL LIMITS APPLY BEFORE COATING
  5. BURR NOT TO EXCEED 0.06MM



DIMENSIONS ARE IN MILLIMETERS			
3RD ANGLE PROJECTION	CHAM OFFICE	241877	1024881
A1	RELEASED		