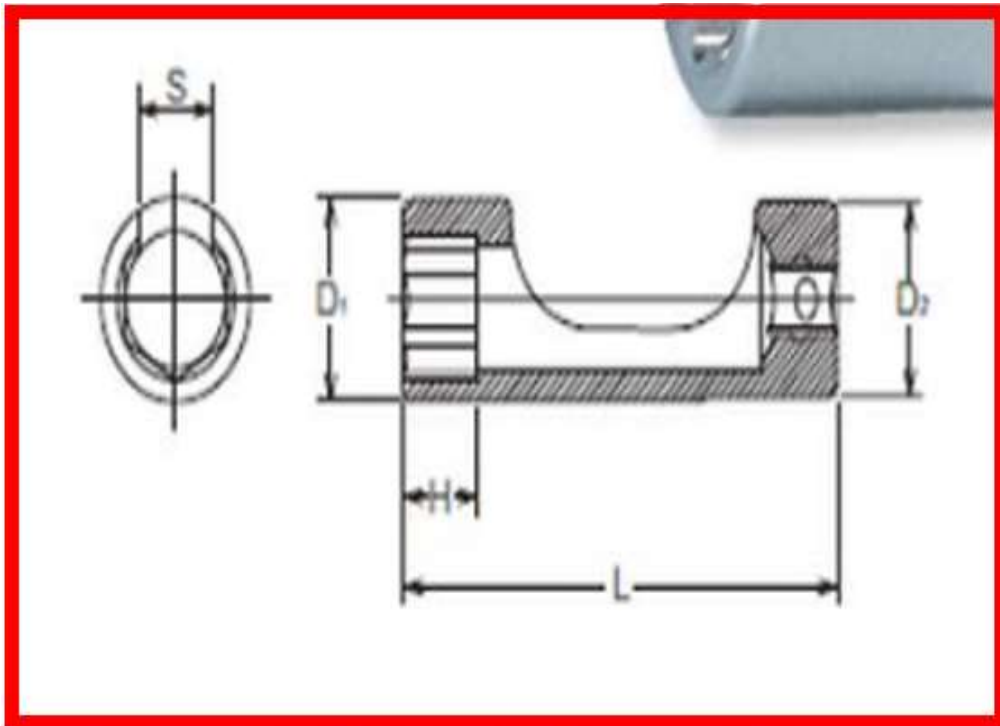


## Specification for Socket



3300 FN (mm)	D1 (mm)	D2 (mm)	H (mm)	L (mm)	S (mm)	Weight (g)
17	25	24	12.5	80	13	110

Material: Chrome molybdenum steel(SCM435)

ROHS:6

Torque: 25Nm or more